

There is a Better Way

LED Screw-In Bulbs

Bollard Series



WHY UPGRADE WITH EMIUM'S LED SCREW-IN BULBS?

This Emium LED Screw-in Bulb are equipped with special heat-dissipation design for higher energy efficiency and longer lifespan

An amazing saving of up to 75% in energy consumption can be realized by replacing your existing HID lighting source

Bollard Series of luminaires are ideal lighting solutions for bollard, post top, low bay, and other outdoor applications. An optional lamp extender is also available for use in larger fixtures. As well as outdoor and commercial applications

FEATURES

- Reduce energy consumption and operating costs by 70% or more
- LED Bollard bulb is a perfect replacement for traditional lamps
- 100-277V AC input voltage range (Ballast must be bypassed)
- Can be used in base up or base down position
- Environmentally friendly - fully recyclable, no mercury or other hazardous material
- Estimated 50,000 hour LED Lifespan

Recommended Use:

- Commercial buildings
- Hotels
- Offices
- Retail Stores
- Plazas

LED Screw-in Bulbs

Bollard Series

25W



25 watts

- 100-277VAC
- 145 lm/W
- CCT Adjustable : 3000k,4000k or 5000K
- Beam Angle : 360°
- End Type : E26 (standard)

Options

- EX39 Mogul base adapter available upon request

EX: EL-TL-CB-22W-ADJ E26

35W



35 watts

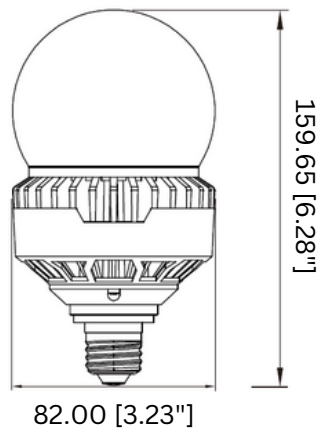
- 100-277VAC
- 135 lm/W
- CCT Adjustable : 3000K,4000K or 5000K
- Beam Angle : 360°
- End Type : E26 (standard) / E39

Options

- EX39 Mogul base adapter available upon request

EX: EL-TL-CB-45W-ADJ E26

25W



35W

