



◆ FEATURES

- Easy installation and maintenance free operation
- Installs in 5 minutes, minimizing labor and recycling costs
- External UL listed Class-2 constant current driver
- Suitable for damp locations
- Optional lighting controls (motion and light sensors) and emergency backup battery provide protection and conserve energy
- Environmentally friendly - fully recyclable, no mercury or other hazardous material

>100,000 Hour Life Rating
5 Year Warranty

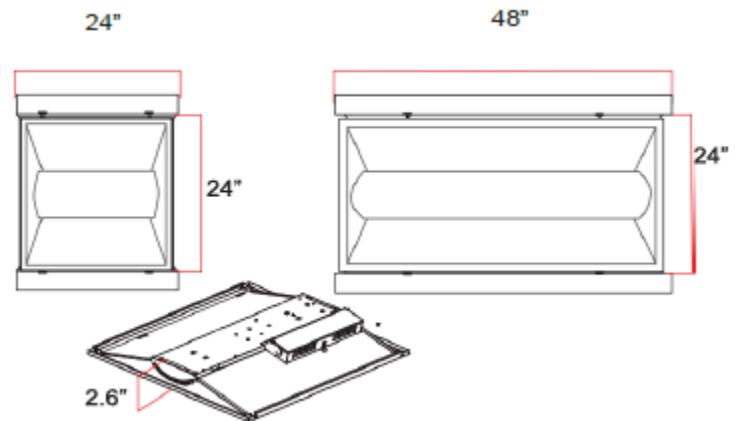


LED Troffer Retrofit Kit

Troffer retrofit kits designed to retrofit 2x2, 2x4 and 1x4 fluorescent troffers for general interior lighting applications. Ideal for commercial buildings, hotels, offices, hospitals, retail stores, plazas, etc.

- Industry leading 135 lumens per watt
- Major Power Savings - Compared to fluorescent tubes, more than 50% less power usage dramatically reduces energy costs
- Lower Maintenance - Lasts 100,000 hours resulting in lower costs by reducing re-lamp frequency, especially in difficult to reach areas

With a fully dimmable driver (0-10V dimming protocol) and a wide range of lumen output levels and light color selections, we have the solution to fit any application.



for more information email info@emium.com
or call 224.735.3435 | www.emium.com

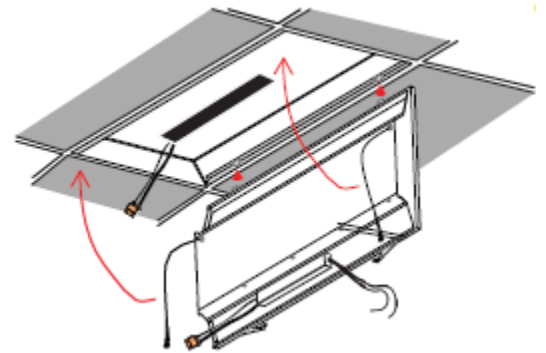


emium

emium lighting, see differently

SPECIFICATIONS

Model #	EL-RTR-2X2-25W/36W		EL-RTR-2X4-36W/50W		EL-RTR-1X4-25W/36W	
Troffer Size	2' X 2'		2' X 4'		1' X 4'	
Power	25	36	36	50	25	36
Lumen Output	3440	4950	4950	6850	3440	4950
Beam Angle	120°					
Input Voltage	100-277VAC or 347VAC					
Color	3000K 3500K 4000K 5000K					
CRI	>80					
Housing Material	Aluminum and PMMA					
Dimmable	Yes (0-10 volt)					
Emergency Backup	Yes, optional					
Life rating	>100,000 hrs					
Warranty	5 years					



for more information email info@emium.com
 or call 224.735.3435 | www.emium.com



emium

emium lighting, see differently