

INTERIOR LIGHTING

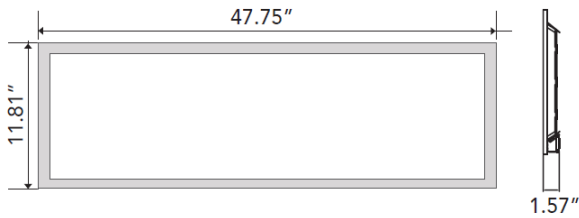
Ordering Guide: LED Backlit Panel: Example: EL-DP-22-30W-35K-XX

Fixture Type	Size	Wattage	CCT (X,X00) Kelvin
EL-DP			
EL-DP LED Backlit Panel Series	14 1' x 4' 22 2' x 2' 24 2' x 4'	20 20W 25 25W 30 30W 36 36W 40 40W 50 50W	35K 3500K 40K 4000K 50K 5000K

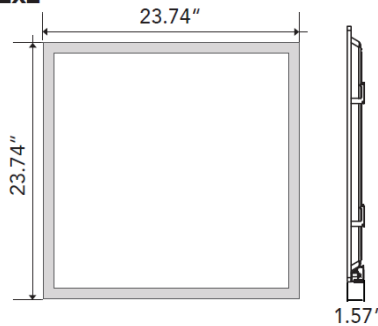
SPECIFICATIONS

Model	EL-DP-14-XXW-XXK	EL-DP-22-XXW-XXK	EL-DP-24-XXW-XXK
Troffer Size	1' x 4'	2' x 2'	2' x 4'
Power Consumption	25W, 30W, 40W	20W, 25W, 30W, 36W	30W, 40W, 50W
Lumen Output	125-127.5 lm/w		
Beam Angle	120°		
Input Voltage	100 - 277VAC		
CRI	>80		
Optics	PMMA lense over LED's, PS diffuser, SDCM > 5, UGR > 22		
Housing Material	Aluminum and PMMA		
Dimmable	Yes (0-10 volt) (10%-100%)		
Emergency Backup	Yes, optional		
Rated Life	More than 50,000 hrs.		
Warranty	5 years		

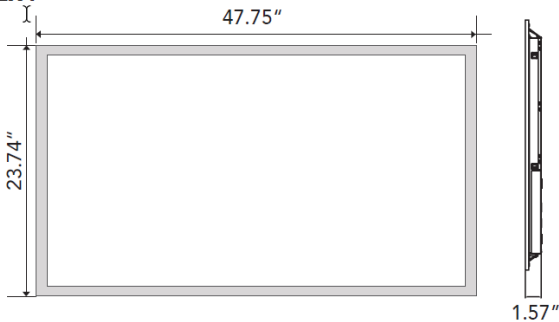
1x4



2x2



2x4



PHOTOMETRY

