

Specifications

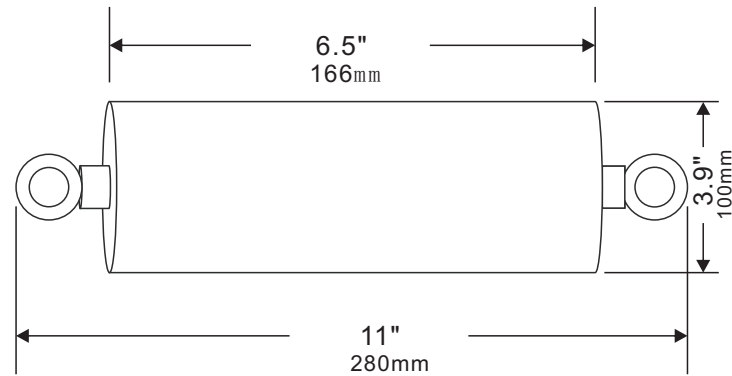
- Input Voltage: 100~277Vac/347Vac, 50/60Hz
- Input Current: 200mA max.
- Input Power Rating: 10W
- Output Voltage: 170Vdc
- Emergency Power: 25W
- Recharge Time: 24Hrs
- Discharge Time: ≥1.5H
- Warranty: 5 Years
- Ambient Temp: 32~122°F(0~50°C)
- Weight: 7.3 lbs(3.3kg)
- Surge Protection: Line-Neutral 3KV

- 25W, 90 Minute LED EMERGENCY DRIVER
- For 100W 150W 200W 240W High Bays
- Easy wiring, fast installation

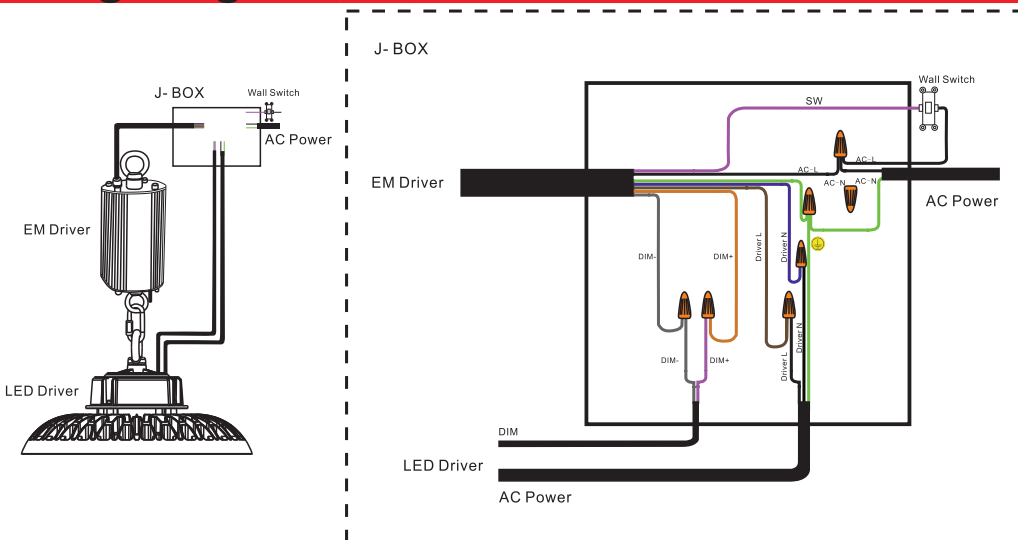
Features

- UL Listed for us and canada
- Listed to UL924 and tested to CSA C22.2 NO.141
- Field or factory installation
- High voltage output
- Low energy consumption CEC compliance.
- Constant output power
- Self-testing
- Battery: Over temperature protection

Dimensions



Wiring Diagram



IP65 LED emergency driver for UFO

