



There is a Better Way

# LED Flood Lights

Standard Series



## WHY UPGRADE WITH EMIUM'S LED FLOOD LIGHTS?

The newest series of our LED Flood Lights aims to provide customers a product that is economical, efficient, and flexible. The low-profile and stylish exterior design can be well integrated into various architectural environments.

Its rugged cast aluminum housing minimizes wind load requirements and features an integral, watertight LED driver compartment and high performance aluminum heat sinks.

## FEATURES

- Maintenance free operation - lasts up to 20 times longer than conventional lighting
- Optics(NEMA Type): 7H\*6V, 4H\*4V
- Made from die cast aluminum that is pretreated and powder-coated to meet the most rugged industry standards.
- Provides the best combination of vertical and horizontal illumination while reducing light behind the poles
- IP65 Rating
- Estimated 100,000 hour LED lifespan.
- No mercury or other hazardous material

### Recommended Use:

- Landscape
- Building facades
- Commercial lighting

# LED Flood Lights

## Standard Series

15W



15 watts

- 120-277V
- 133lm/W
- 1-10V Dimming
- 5000K - *Standard*
- 3000K, 3500K, or 4000K - *Custom Order*

**Mounting**

- Knuckle/Trunnion Mount

**Housing**

Die-Cast Aluminum

- Dark Bronze - *Standard*
- White or Black - *Custom Order*

**Options**

- Photocell

EX: EL-MS-FL-15W27VDDKDD KN B76

27W



27 watts

- 120-277V
- 137lm/W
- 1-10V Dimming
- 5000K - *Standard*
- 3000K, 3500K, or 4000K - *Custom Order*

**Mounting**

- Knuckle/Trunnion Mount

**Housing**

Die-Cast Aluminum

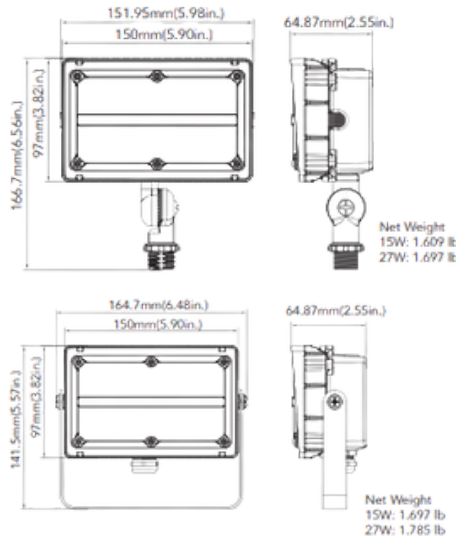
- Dark Bronze - *Standard*
- White or Black - *Custom Order*

**Options**

- Photocell

EX: EL-MS-FL-27W27VDDKDB TR B76

Dimensions:  
(15W/27W)



45W



45 watts

- 120-277V
- 137lm/W
- 1-10V Dimming
- 5000K - *Standard*
- 3000K, 3500K, or 4000K - *Custom Order*

**Mounting**

- Knuckle/Trunnion Mount

**Housing**

Die-Cast Aluminum

- Dark Bronze - *Standard*
- White or Black - *Custom Order*

**Options**

- Photocell

EX: EL-MS-FL-45W27VDDKDW TR B76

60W



60 watts

- 120-277V
- 145lm/W
- 1-10V Dimming
- 5000K - *Standard*
- 3000K, 3500K, or 4000K - *Custom Order*

**Mounting**

- Knuckle/Trunnion Mount

**Housing**

Die-Cast Aluminum

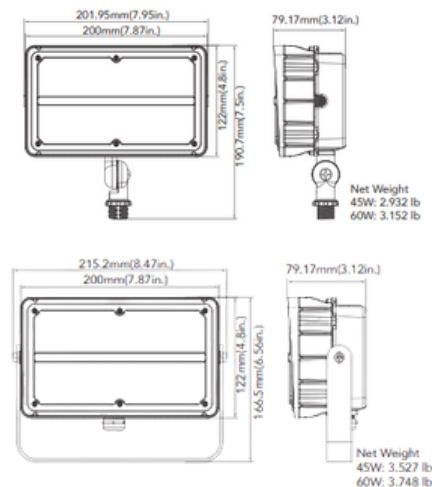
- Dark Bronze - *Standard*
- White or Black - *Custom Order*

**Options**

- Photocell

EX: EL-MS-FL-60W27VDDKDB KN B76

Dimensions:  
(45W/60W)



# Flood Lights

## Standard Series

**70W**



Dimensions:  
(70W/100W)

**100W**



### 70 watts

- 120-277V
- 145lm/W
- 1-10V Dimming
- 5000K - *Standard*
- 3000K, 3500K, or 4000K - *Custom Order*

#### Mounting

- Slipfitter/Yoke Mount

#### Housing

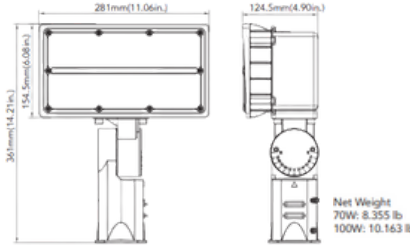
Die-Cast Aluminum

- Dark Bronze - *Standard*
- White or Black - *Custom Order*

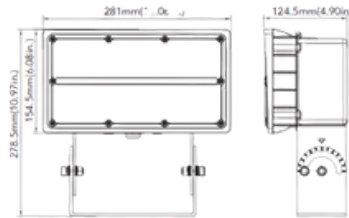
#### Options

- Photocell

EX: EL-MS-FL-70W27VDDKDD SP B76



Net Weight  
70W: 8.355 lb  
100W: 10.163 lb



Net Weight  
70W: 7.429 lb  
100W: 9.237 lb

### 100 watts

- 120-277V
- 145lm/W
- 1-10V Dimming
- 5000K - *Standard*
- 3000K, 3500K, or 4000K - *Custom Order*

#### Mounting

- Slipfitter/Yoke Mount

#### Housing

Die-Cast Aluminum

- Dark Bronze - *Standard*
- White or Black - *Custom Order*

#### Options

- Photocell

EX: EL-MS-FL-100W27VDDKDB YK B76

**135W**



Dimensions:  
(135W/200W)

**200W**



### 135 watts

- 120-277V
- 145lm/W
- 1-10V Dimming
- 5000K - *Standard*
- 3000K, 3500K, or 4000K - *Custom Order*

#### Mounting

- Slipfitter/Yoke Mount

#### Housing

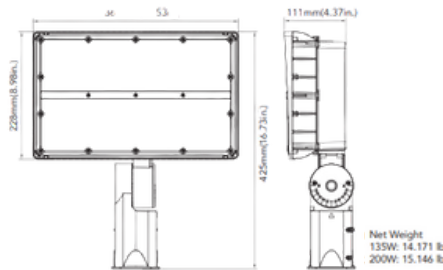
Die-Cast Aluminum

- Dark Bronze - *Standard*
- White or Black - *Custom Order*

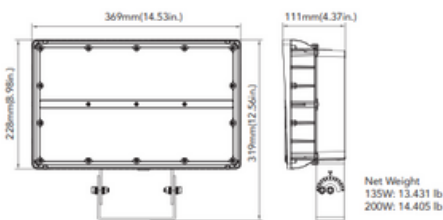
#### Options

- Photocell

EX: EL-MS-FL-135W27VDDKDW YK B76



Net Weight  
135W: 14.171 lb  
200W: 15.146 lb



Net Weight  
135W: 13.431 lb  
200W: 14.405 lb

### 200 watts

- 120-277V
- 145lm/W
- 1-10V Dimming
- 5000K - *Standard*
- 3000K, 3500K, or 4000K - *Custom Order*

#### Mounting

- Slipfitter/Yoke Mount

#### Housing

Die-Cast Aluminum

- Dark Bronze - *Standard*
- White or Black - *Custom Order*

#### Options

- Photocell

EX: EL-MS-FL-200W27VDDKDB SP B76

