

There is a Better Way

# Area Light Accessories

## Controls

### EL-MS-ACC-SL-Photocell 120-277V

#### PHOTOCELL CONTROL

Available in 120-277VAC and 480VAC. Emium's standard mounts have knockouts for customers to easily mount a photocell to almost any application.

### EL-MS-BRI823

#### MOTION SENSOR CONTROL

Bi-level microwave motion sensor and photocell combination.

### EL-MS-ACC-BLCS04-XXX

#### BACKLIGHT CONTROL SHIELD

Backlight Control Shield allows to block light from displaying in unwanted directions (e.g., apartment complex)  
*Replace "XXX" with wattage of desired fixture.*

## Mounting

### EL-MS-ACC-SPAL04DA



#### SLIPFITTER

Aluminum mast arm adapter secures fixture head to nominal 2-3/8" O.D. horizontal steel tenon arm.  
*Compatible with Emium's tenon adapters. **Standard***

### EL-MS-ACC-SQAL04DA



#### SQUARE/ROUND POLE

(4" and 5" Square and Round poles) Standard versatile mounting arm is simple to install and can be used with existing poles for retrofit installations  
**Standard**

### EL-MS-ACC-WMAL04DA



#### WALL MOUNT

Wall Mount is easy to install for direct wall mounting with 1/2" conduit wiring or standard J-box mounting

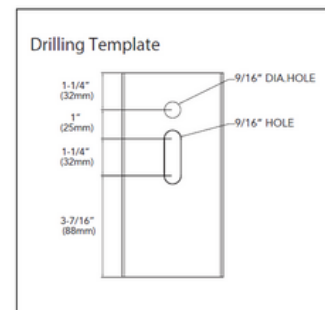
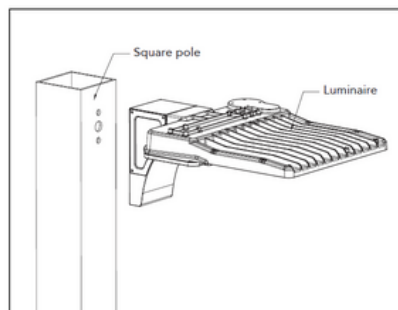
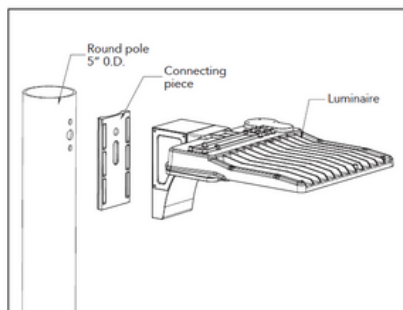
### EL-MS-ACC-YKFD07DA



#### YOKE MOUNT

Die-cast aluminum trunnion is easily adapted to many surfaces and allows easy fixture aiming angles.

## Mounting Dimensions





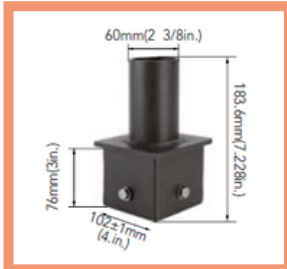
EMIUM LIGHTING, SEE DIFFERENTLY

# Area Light Accessories

## Pole & Tenon Adapters

**Pole Bracket** - For mounting one fixture to an existing pole

**EL-MS-ACC-4SQ-SP-D**



**4" SQUARE POLE MOUNT WITH 2-3/8" O.D. TENON**

Finish: Dark Bronze

For use with square, non-tapered steel and aluminum poles. Furnished with four 5/16" hex head stainless-steel bolts. Vertical tenon measures 2-3/8" O.D., and is made of steel tubing. Fixtures mounted to this bracket can be adjusted both vertically and horizontally.

**EL-MS-ACC-4SQR-SP-D**

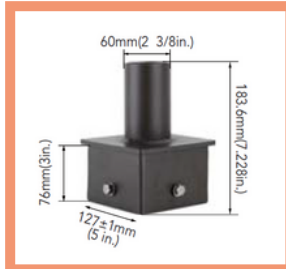


**4" ROUND POLE MOUNT WITH 2-3/8" O.D. TENON**

Finish: Dark Bronze

For use with Round, non-tapered steel and aluminum poles. Furnished with three 3/8" hex head stainless-steel bolts. Vertical tenon measures 2-3/8" O.D., and is made of steel tubing. Fixtures mounted to this bracket can be adjusted both vertically and horizontally.

**EL-MS-ACC-5SQ-SP-D**



**5" SQUARE POLE MOUNT WITH 2-3/8" O.D. TENON**

Finish: Dark Bronze

For use with square, non-tapered steel and aluminum poles. Furnished with four 5/16" hex head stainless-steel bolts. Vertical tenon measures 2-3/8" O.D., and is made of steel tubing. Fixtures mounted to this bracket can be adjusted both vertically and horizontally.

**EL-MS-ACC-5SQR-SP-D**



**5" ROUND POLE MOUNT WITH 2-3/8" O.D. TENON**

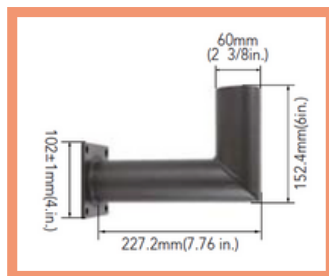
Finish: Dark Bronze

For use with Round, non-tapered steel and aluminum poles. Furnished with three 3/8" hex head stainless-steel bolts. Vertical tenon measures 2-3/8" O.D., and is made of steel tubing. Fixtures mounted to this bracket can be adjusted both vertically and horizontally.

### Wall Bracket

Attaches to any flat surface while providing wiring access

**EL-MS-ACC-WM-SP-D**



**90° WALL MOUNT BRACKET WITH 2-3/8" O.D. TENON**

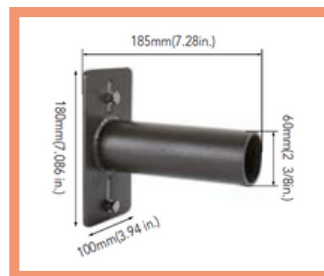
Finish: Dark Bronze

The 90° wall mount bracket with 2-3/8" tenon attaches an MESTER floodlight to almost any surface: wall, roof, or wood pole. Provides wiring access and a built-in 2-3/8" O.D. tenon to mount a fixture with our adjustable slipfitter. Suggested 3/8" diameter bolts for mounting. Mounting holes are spaced 3-1/4" apart.

### Mid-Pole Tenon Bracket

Attaches a single unit to the middle of a square pole

**EL-MS-ACC-SQ-SP-D**



**2-3/8" OD HORIZONTAL TENON MID-POLE BRACKET**

Finish: Dark Bronze

2-3/8" OD Horizontal Tenon Mid-Pole Bracket is designed to mount light fixture that is equipped with a adjustable slipfitter onto a 2-3/8" OD horizontal tenon



EMIUM LIGHTING, SEE DIFFERENTLY

# Area Light Accessories

## Pole & Tenon Adapters

**Round External Mount Horizontal Adapter** - To mount up to 4 fixtures on an existing pole

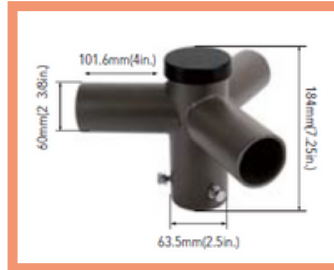
EL-MS-ACC-R60-SP2-90-D



**DOUBLE 90° HORIZONTAL  
TENON ADAPTOR**

Finish: Dark Bronze  
The Bracket is designed to mount over 2-3/8" (60mm) O.D. vertical tenon. Two fixtures can be mounted to the Round External Mount Horizontal Tenon and adjusted horizontally

EL-MS-ACC-R60-SP3-120-D



**TRIPLE 120° HORIZONTAL  
TENON ADAPTOR**

Finish: Dark Bronze  
The Bracket is designed to mount over 2-3/8" (60mm) O.D. vertical tenon. Three fixtures can be mounted to the Round External Mount Horizontal Tenon and adjusted horizontally

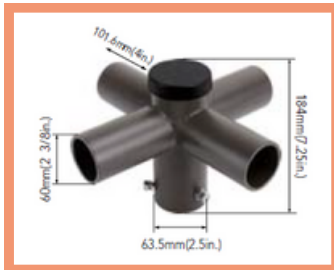
EL-MS-ACC-R60-SP2-180-D



**DOUBLE 180° HORIZONTAL  
TENON ADAPTOR**

Finish: Dark Bronze  
The Bracket is designed to mount over 2-3/8" (60mm) O.D. vertical tenon. Two fixtures can be mounted to the Round External Mount Horizontal Tenon and adjusted horizontally

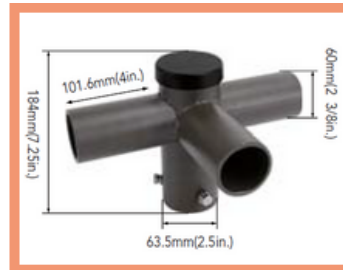
EL-MS-ACC-R60-SP4-90-D



**QUAD 90° HORIZONTAL TENON  
ADAPTOR**

Finish: Dark Bronze  
The Bracket is designed to mount over 2-3/8" (60mm) O.D. vertical tenon. Four fixtures can be mounted to the Round External Mount Horizontal Tenon and adjusted horizontally

EL-MS-ACC-R60-SP3-90-D



**TRIPLE 90° HORIZONTAL TENON  
ADAPTOR**

Finish: Dark Bronze  
The Bracket is designed to mount over 2-3/8" (60mm) O.D. vertical tenon. Three fixtures can be mounted to the Round External Mount Horizontal Tenon and adjusted horizontally

**Pole Bracket is required in conjunction with  
Round External Mount Horizontal Adapter.**