



emium™

emium lighting, see differently

EXTERIOR LIGHTING



Angle Adjustable LED Wall Packs

5 Year Full Product Warranty

FEATURES

The Emium slim angle adjustable wall pack is available in four wattage options for a variety of applications including building perimeter, entrances, stairways and security lighting. The WP10 series of luminaries provides a low-profile architectural style with the power of bright, energy efficient LEDs. It has a rugged aluminum construction with multi-mount capabilities. 0° to +90° tilt adjustments.

Maintenance free operation - lasts 10+ times longer than conventional lighting.

Photocell option is available.

0-10V dimming capability.

Sealed die-casting profile for outdoor applications.

Suitable for applications requiring 3G testing prescribed by ANSI C136.31.

Tempered UV coated flat lens provide outstanding performance, uniformity and glare control.

Estimated 50,000-hour LED lifespan based on IES LM-80 results and TM-21 calculations.

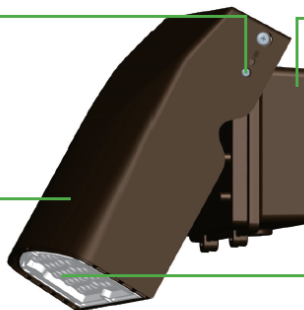
Mounting

0° to +90° tilt adjustments, To meet the needs of customers with different lighting angles.



Housing

Suitable for both indoor and outdoor application, also suitable for J-BOX mounting and surface mounting.



Photocell

Optional for photocell, and allows for security and energy saving.

Lens

Polycarbonate optical lens with UV stabilizers do not exhibit yellowing and deformation.



for more information email [info@emium.com](mailto:info@emium.com) or call 224.735.3435 | [www.emium.com](http://www.emium.com)

## EXTERIOR LIGHTING

Ordering Guide: Angle Adjustable Wall Pack: Example - EL-MS-WP10-40W27V-50KD-D

Fixture Type	Wattage	Voltage	CCT (X,X00) Kelvin	Finish	Dimmable
<b>EL-MS-WP10</b>					
EL-MS-WP10 Adjustable Wall Pack	27W 40W 67W 80W	27V 120-277V	40K 4000K 50K 5000K	D - Dark Bronze B - Black W - White	D 0-10V DIM Blank NO DIM

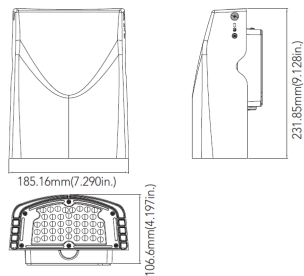
## SPECIFICATIONS

Model	EL-MS-WP10-27W27V	EL-MS-WP10-40W27V	EL-MS-WP10-67W27V	EL-MS-WP10-80W27V
Power	27W	40W	67W	80W
Lumen Output	Up to 3,600	Up to 5,200	Up to 8,800	Up to 10,500
Input Voltage	120 - 277VAC, Greater than 0.9 power factor, Less than 20% harmonic distortion			
Color Temp	4000K 5000K			
CRI	+ 70CRI			
Controls	0-10V dimming – standard (27W no dimming) Photocell – optional			
Operating Temperature	Suitable for operation in -40°F to 104°F ambient environments			
Housing Finish	Dark Bronze (standard), Black, White			
Rated Life	More than 50,000 hrs			

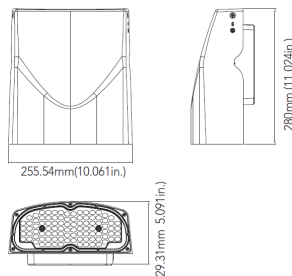
### DIMENSIONS

unit: mm/inch

Small size: 27W/40W



Medium size: 67W/80W



### PHOTOMETRICS

