

LED Light Engine Installation Guidelines

DANGER - READ ALL INSTRUCTIONS BEFORE INSTALLATION, AND USE A LICENSED ELECTRICIAN TO PERFORM THE INSTALLATION!

DANGER - CONFIRM THAT THE LINE VOLTAGE IS CORRECT FOR THE DRIVER!!



IMPORTANT NOTICE

- * Never lead the luminaire directly to AC power supply without LED Driver.
- * Never take the retrofit apart. Never touch the LEDs. THIS MAY VOID THE WARRANTY.
- * Reflector must be removed. If not, IT WILL VOID THE WARRANTY.
- * Never dim a non-dimmable LED driver.
- * Not intended for use with emergency exits or emergency lights.

* CIRCUIT DIAGRAM

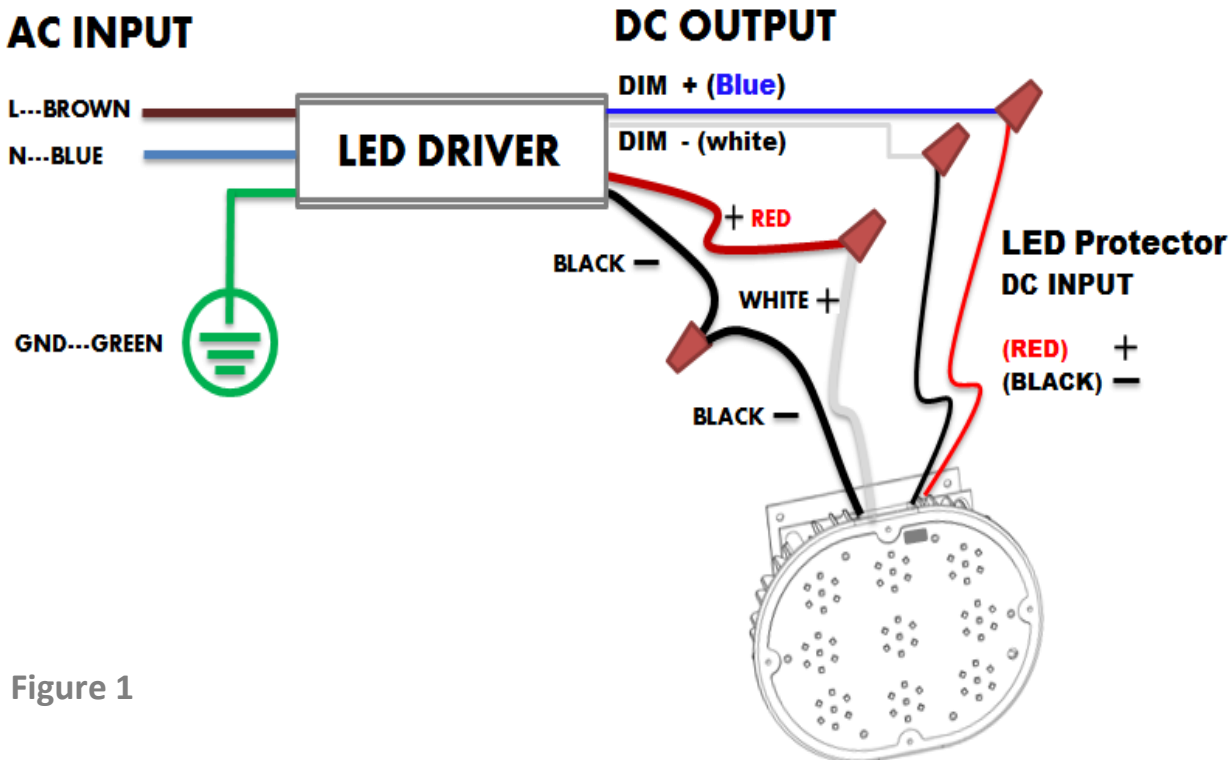


Figure 1

Notice: The driver has extra 2 dimming function wires (DIM +/-), they should be connected to the LED protector.

These units are designed to replace the lamp, reflector, and ballast of your existing HID area lighting fixtures, but leave the housing in place.